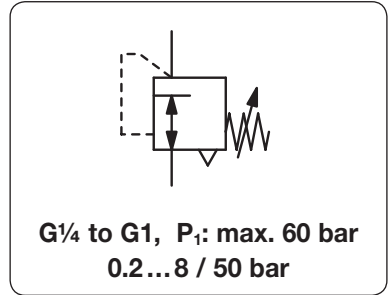


Brass Pressure Regulator up to 60 bar

R286

| | | | |
|---------------------------|---|--|------------------------------|
| Description | Diaphragm pressure regulator of solid design. Made of brass. For inlet pressure up to 60 bar. | | |
| Media | compressed air, non-corrosive gases or liquids | | |
| Supply pressure | max. 60 bar | | |
| Adjustment | by handwheel, T-handle or hexagonal spindle, with locknut | | |
| Relieving function | relieving, optionally non-relieving | | |
| Gauge port | G $\frac{1}{4}$ on both sides of the body, one screw plug supplied | | |
| Mounting position | any | Inlet filter | stainless steel, 500 μ m |
| Temperature range | -10 °C to 90 °C / 14 °F to 194 °F | | |
| Material | Body: brass Elastomer: NBR/Buna-N | Intermediate ring: brass at G $\frac{1}{4}$, anodized aluminium at G1 Inner valve: brass | |



| Dimensions | | | Pressure adjustment by | K _v value (m ³ /h) | Flow rate m ³ /h*1 | l/min*1 | Connection thread G | Pressure range bar | Order number |
|------------|------|------|------------------------|--|-------------------------------|---------|---------------------|--------------------|--------------|
| A mm | B mm | C mm | | | | | | | |

| Brass pressure regulator | | | | | | | | | |
|--|-----|----|--------------|-----|-----|------|-----------------|------------|-----------------|
| supply max. 60 bar, for compressed air relieving, without pressure gauge | | | | | | | | | |
| 72 | 164 | 30 | handwheel | 1.2 | 84 | 1400 | G $\frac{1}{4}$ | 0.5 ... 12 | R286-02C |
| | | | hex. spindle | | | | | 1.0 ... 20 | R286-02E |
| | | | | | | | | 2.0 ... 35 | R286-02F |
| | | | | | | | | 3.0 ... 50 | R286-02G |
| 72 | 164 | 30 | handwheel | 1.3 | 90 | 1500 | G $\frac{3}{8}$ | 0.5 ... 12 | R286-03C |
| | | | hex. spindle | | | | | 1.0 ... 20 | R286-03E |
| | | | | | | | | 2.0 ... 35 | R286-03F |
| | | | | | | | | 3.0 ... 50 | R286-03G |
| 118 | 260 | 51 | T-handle | 4.2 | 300 | 5000 | G1 | 0.5 ... 12 | R286-08C |
| | | | hex. spindle | | | | | 1.0 ... 20 | R286-08E |
| | | | | | | | | 2.0 ... 35 | R286-08F |
| | | | | | | | | 3.0 ... 50 | R286-08G |

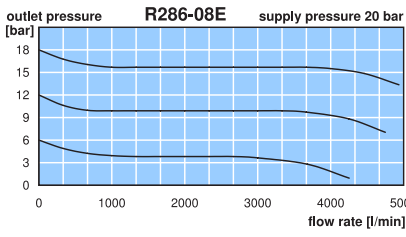
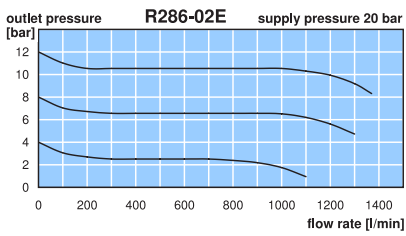
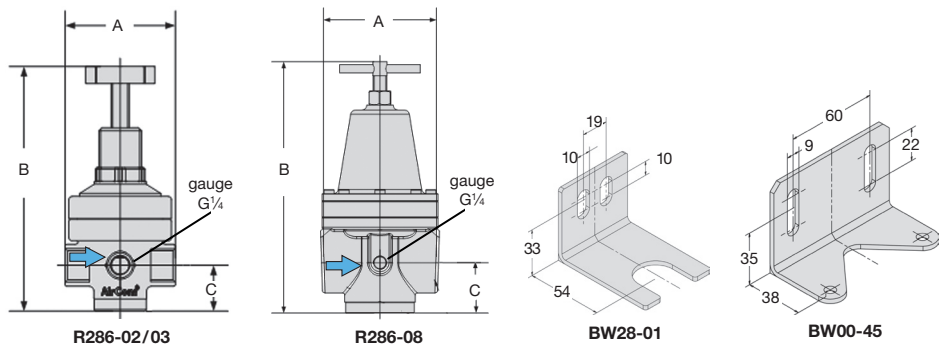


Special options, add the appropriate letter

| | | |
|---------------------------------|--|-----------------------------|
| non-relieving for oxygen | without relieving function, for liquids specially cleaned, with oxygen grease, max. 60 °C/140 °F, max. 22 bar | R286-0 . .K R286-0 . .15 |
|---------------------------------|--|-----------------------------|

Accessories, enclosed

| | | | |
|-------------------------|--|---|--|
| pressure gauge | Ø 50 mm, 0...10 bar, G $\frac{1}{4}$ 0...25 bar, G $\frac{1}{4}$ 0...60 bar, G $\frac{1}{4}$ Ø 63 mm, 0...16 bar, G $\frac{1}{4}$ 0...25 bar, G $\frac{1}{4}$ 0...60 bar, G $\frac{1}{4}$ | for G $\frac{1}{4}$ and G $\frac{3}{8}$ for G $\frac{1}{4}$ and G $\frac{3}{8}$ for G $\frac{1}{4}$ and G $\frac{3}{8}$ for G1 for G1 for G1 for G1 | MA5002- 10 MA5002- 25 MA5002- 60 MA6302- 16 MA6302- 25 MA6302- 60 |
| mounting bracket | made of steel, mounting nut required | for G $\frac{1}{4}$ and G $\frac{3}{8}$ | BW28-01 |
| mounting nut | made of brass | for G $\frac{1}{4}$ and G $\frac{3}{8}$ | M28x1,5M |
| mounting bracket | made of steel, assembly at spring cage | for G1 | BW00-45 |



*1 at 20 bar supply pressure, 10 bar outlet pressure and 4 bar pressure drop